

# Programmes After Market Services NPC-1 Series Transceivers

## Accessories

**Table of Contents**

	Page No
Standard Battery BLC-2.....	4
Product Code .....	4
BMC-2 Battery Pack.....	5
Product Code .....	5
Battery Pack BMC-3.....	6
Product Code .....	6
AC Travel Charger ACP-7.....	7
Product Codes .....	7
Specification .....	7
Performance Travel Charger ACP-8.....	8
Product Codes .....	8
Specification .....	8
Fast Travel Charger ACP-9.....	9
Product Codes .....	9
Specification .....	9
Battery Charging Stand DDC-1 .....	10
Product Code .....	10
Specifications .....	10
Desktop Stand DCV-10 .....	11
Product Code .....	11
Specification .....	11
Mobile holder MBC-6.....	12
Product Code .....	12
Specifications .....	12
Mounting Plate MKU-1.....	13
Product Code .....	13
Swivel Mount HHS-9.....	14
Product Code .....	14
Cigarette Lighter Charger LCH-8.....	15
Product Code .....	15
Specification .....	15
Cigarette Lighter Charger LCH-9 .....	16
Product Code .....	16
Specification .....	16
Plug and Play Handsfree Cigarette Charger PPH-1 .....	17
Product Code .....	17
Specification .....	17
Handsfree Microphone HFM-8.....	18
Product Code .....	18
Product Code .....	19
Specification .....	19
Headset HDC-5 .....	20
Product Code .....	20
Loopset LPS-3.....	21
Product Code .....	21
Recommended Batteries .....	21

---

**List of Figures**

Fig 1	View of Standard Battery, BLC-2 .....	4
Fig 2	View of BMC-2 Battery Pack .....	5
Fig 3	View of Battery Pack, BMC-3 .....	6
Fig 4	View of AC Travel Charger, ACP-7 .....	7
Fig 5	View of Performance Travel Charger, ACP-8 .....	8
Fig 6	View of Fast Travel Charger, ACP-9 .....	9
Fig 7	View of Battery Charging Stand, DDC-1 .....	10
Fig 8	View of Desktop Stand, DCV-10 .....	11
Fig 9	View of Mobile Holder, MBC-6 .....	12
Fig 10	View of Mounting Plate, MKU-1 .....	13
Fig 11	View of Swivel Mount, HHS-9 .....	14
Fig 12	View of Cigarette Charger, LCH-8 .....	15
Fig 13	Cigarette Lighter Charger, LCH-9 .....	16
Fig 14	View of Plug and Play Handsfree Cigarette Charger, PPH-1 .....	17
Fig 15	View of Handsfree Microphone, HFM-8 .....	18
Fig 16	View of Headset, HDE-2 .....	19
Fig 17	View of Headset, HDC-5 .....	20
Fig 18	View of Loopset, LPS-3 .....	21

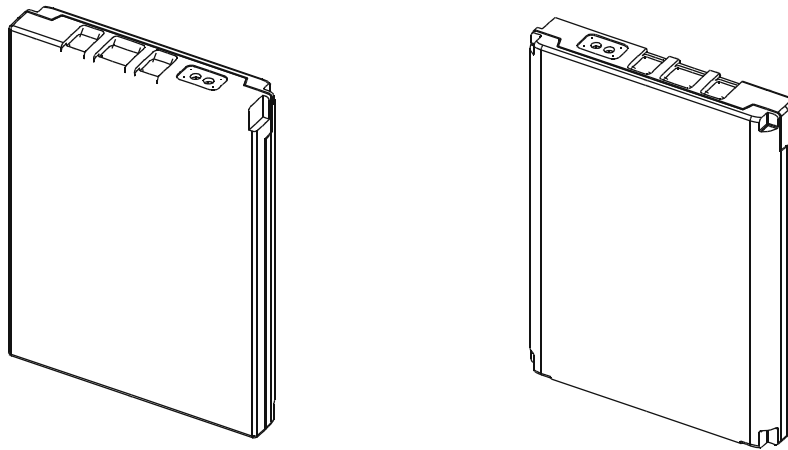
## Standard Battery BLC-2

The BLC-2 is a Li-ION type battery with a rating of 850mAH

### Product Code

Battery pack BLC-2: *0670343*

**Figure 1:** View of Standard Battery, BLC-2



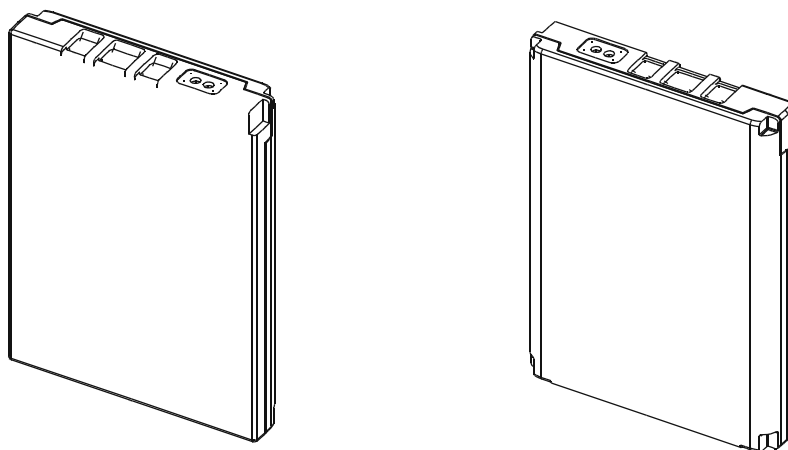
## BMC-2 Battery Pack

The BMC-2 is a Ni-MH type battery with a rating of 640mAh

### Product Code

BMC-2 Battery Pack: *0670323*

Figure 2: View of BMC-2 Battery Pack



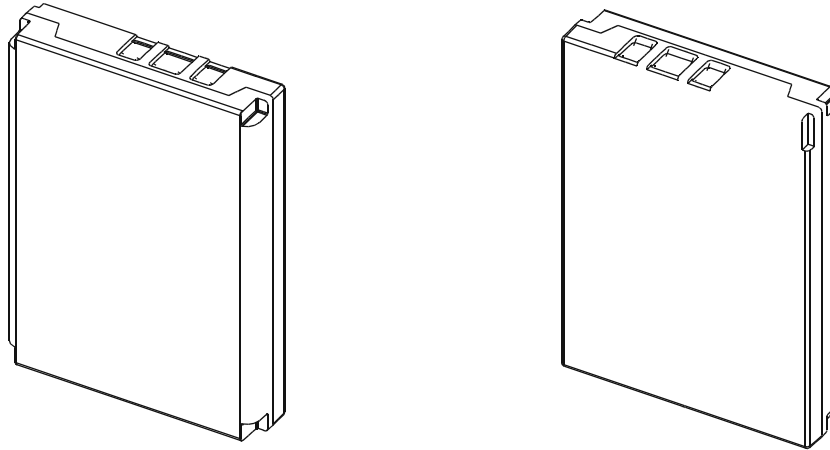
## Battery Pack BMC-3

The BMC-3 is a NiMH type battery with a rating of 900mAH

### Product Code

Battery pack BMC-3: *0670324*

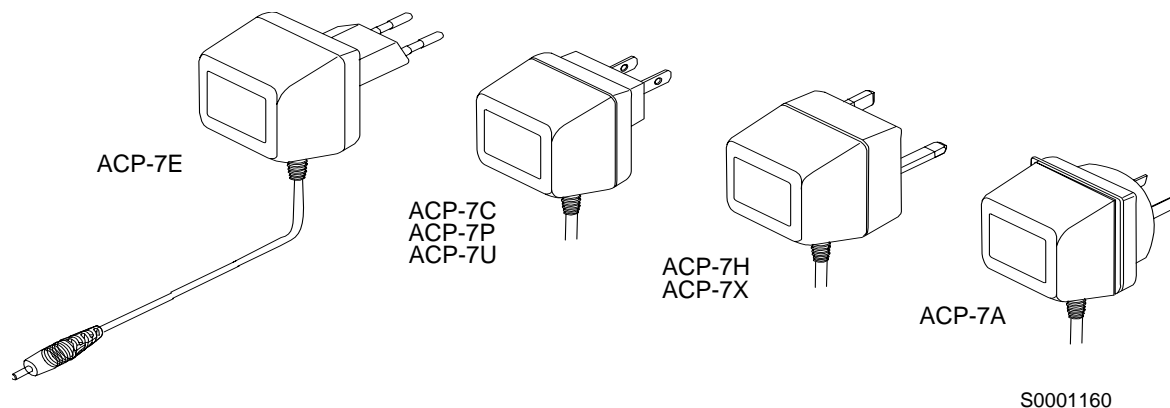
Figure 3: View of Battery Pack, BMC-3



## AC Travel Charger ACP-7

The standard charger is available for different voltage levels and comes with different wall plugs. The standard charger can also be used as a power supply for the desktop stand.

Figure 4: View of AC Travel Charger, ACP-7



### Product Codes

AC Travel Charger(Europlug) 207-253 Vac	ACP-7E 0675144
AC Travel Charger(USplug) 108-132 Vac	ACP-7U 0675143
AC Travel Charger(USplug) 198-242 Vac	ACP-7P 0675147
AC Travel Charger(USplug) 198-242 Vac	ACP-7C 0675158
AC Travel Charger(UKplug) 207-253 Vac	ACP-7X 0675145
AC Travel Charger(UKplug) 180-220 Vac	ACP-7H 0675146
AC Travel Charger(Australia) 216-264 Vac	ACP-7A 0675148

### Specification

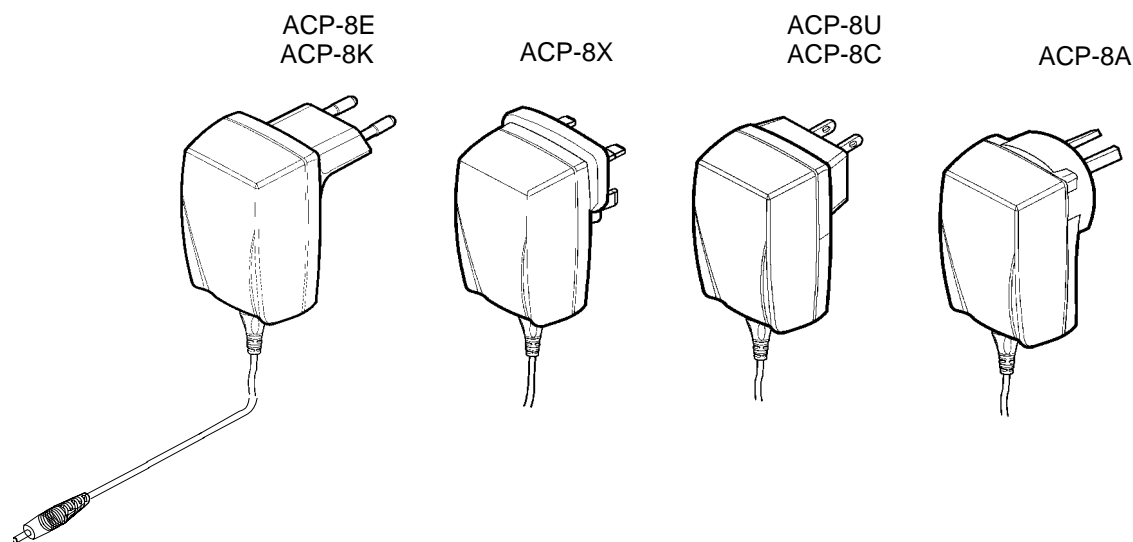
Output connectors:	3.5 mm DC plug, 2-pole
Protection:	PTC protection
Output Voltage /Current (typ)	7.6 V / 370 mA

## Performance Travel Charger ACP-8

Operating within the voltage range 90 V...264 V AC (50 Hz...60 Hz), the Performance Travel Charger is practically current independent in normal office and household use. Like the standard charger, it is compatible with all battery options and is available for different wall sockets.

The Performance Travel Charger can also be used with desktop stand.

Figure 5: View of Performance Travel Charger, ACP-8



### Product Codes

ACP-8E	Performance Travel Charger Euro plug 90-264 Vac	0675195
ACP-8K	Performance Travel Charger Korea plug 90-264 Vac	0675199
ACP-8X	Performance Travel Charger UK plug 90-264 Vac	0675197
ACP-8U	Performance Travel Charger US plug 90-264 Vac	0675196
ACP-8C	Performance Travel Charger China plug 90-264 Vac	0675211
ACP-8A	Performance Travel Charger Australia plug 90-264 Vac	0675214

### Specification

Output connectors: 3.5 mm DC plug, 2-pole (+, -, control)

Protection: Output fault voltage 16 V max.

Output voltage/current (typ): 6.0 V (+0.3 V)/620 mA

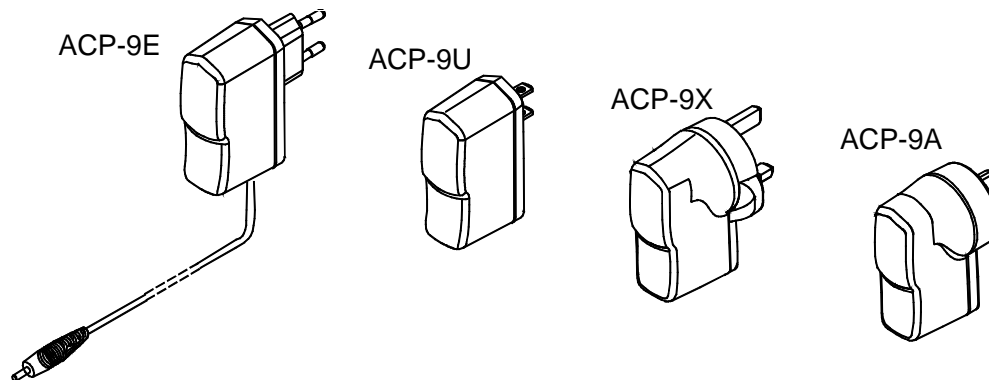


## Fast Travel Charger ACP-9

Operating within the voltage range 90 V...264 V AC (50 Hz...60 Hz), the Fast Travel Charger is practically current independent in normal office and house-hold use. Like the standard charger, it is compatible with all battery options and is available for different wall sockets.

The Fast Travel Charger can also be used with basic stand and desktop stand.

Figure 6: View of Fast Travel Charger, ACP-9



### Product Codes

Fast Travel Charger (Euro plug) 90-264 Vac ACP-9E 0675149

Fast Travel Charger (US plug) 90-264 Vac ACP-9U 0675151

Fast Travel Charger (UK plug) 90-264 Vac ACP-9X 0675150

Fast Travel Charger (Australia) 90-264 Vac ACP-9A 0675152

Output cable PCC-1 (supplied with ACP-9): 0730076

### Specification

Output connectors: 3.5 mm DC plug, 3-pole (+, -, control)

Protection: output current limiting, max. 850 mA

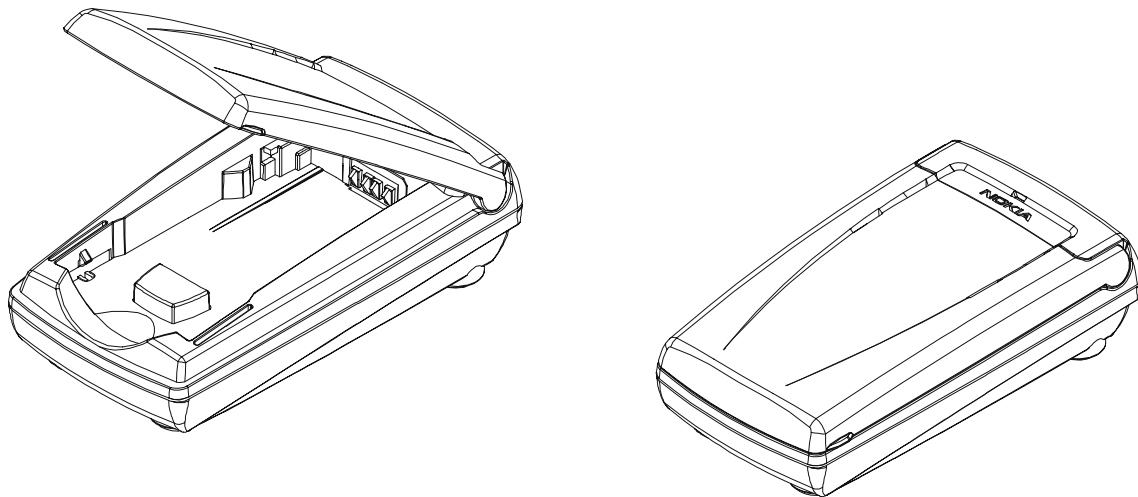
output voltage limiting, max. 9.3 V (unloaded)

Output voltage/current (typ): 8.4 V / 800 mA

## Battery Charging Stand DDC-1

Supports both Li-Ion and Ni-MH batteries (charges following DCT-4 semi-fixed batteries: BLB-2, BLB-3, BLL-2, BMC-2, BMC-3 and BLC-2). LED to indicate charging status: green, ready (trickle charging); red, fast charging; rapid green and red alternately (the charging is disabled due to battery temperature, i.e. battery outside the temperature range). Compatible chargers: Standard Charger ACP-7, Travel Charger ACP-8, Performance Travel Charger ACP-9.

Figure 7: View of Battery Charging Stand, DDC-1



### Product Code

Battery Charging Stand DDC-1: 0675243

### Specifications

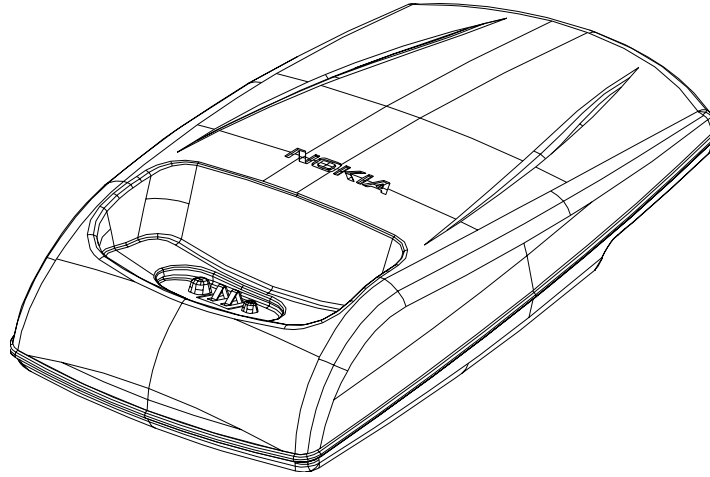
Dimensions (H x W x D): 31 x 62 x 105.5 mm

Weight: 97 g

## Desktop Stand DCV-10

The desktop stand provides mounting place for charging battery with transceiver.

Figure 8: View of Desktop Stand, DCV-10



### Product Code

Desktop stand DCV-10: *0675229*

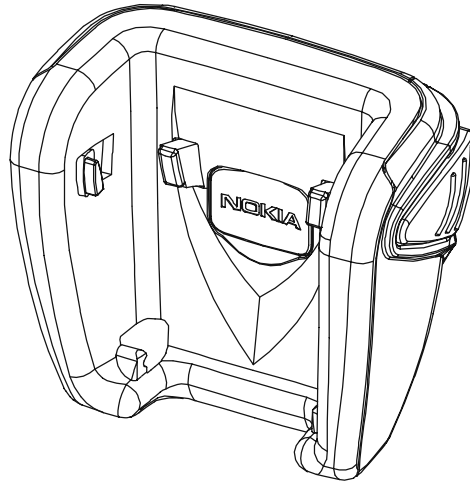
### Specification

Connections: *3.5 mm DC jack (ACP-7 or ACP-8)*

## Mobile holder MBC-6

In car phone holder, typically mounted to dashboard using mounting plate MKU- 1 or swivel mount HHS-9.

Figure 9: View of Mobile Holder, MBC-6



### Product Code

Mobile Holder MBC-6: *0650026*

### Specifications

Dimensions (H x W x D): 70 x 75 x 43 mm

Weight: 50 g

## Mounting Plate MKU-1

The MKU-1 mounting plate provides a method of fixing the phone holder, the basic handsfree unit or the handset to the vehicle interior.

### Product Code

Mounting plate MKU-1: *0620036*

Figure 10: View of Mounting Plate, MKU-1



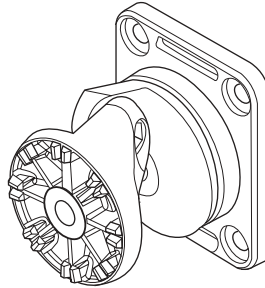
## Swivel Mount HHS-9

The HHS-9 swivel mounting plate provides an alternative (to MKU-1) method of locating the phone holder, the handsfree unit, or the handset.

### Product Code

Swivel mounting plate HHS-9: *0620037*

Figure 11: View of Swivel Mount, HHS-9

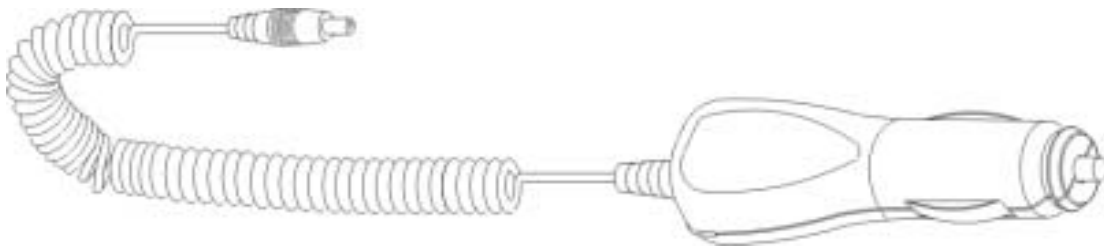


## Cigarette Lighter Charger LCH-8

A green light indicates that the cigarette lighter charger is ready for charging. Check the charging status on the phone display. The main use is with 12V vehicle system. It is using 3-wire charging structure (controlled constant voltage). It has internal output current limitation of 650mA.

The car battery connectors must perform reliable electrical connection to the cigarette lighter socket.

Figure 12: View of Cigarette Charger, LCH-8



### Product Code

Cigarette lighter charger LCH-8: *0675231*

### Specification

Output connectors: 3.5 mm DC plug, 3 pin.

Protection: *input fused, output current limit 650 mA*

Voltage:

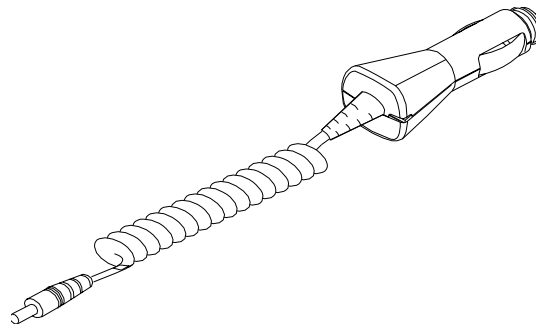
- input: 10.8...32 V
- output: This is controlled by the phone via 3:rd wire.

## Cigarette Lighter Charger LCH-9

A green light indicates that the cigarette lighter charger is ready for charging. Check the charging status on the phone display. The input voltage can be from 11 or 32 V d.c., negative grounding.

Universal mobile charger can be used with all car accessories provided for your phone except MCC-1.

Figure 13: Cigarette Lighter Charger, LCH-9



### Product Code

Cigarette lighter charger LCH-9: *0675120*

### Specification

#### Connectors

- input: D 21/23 mm
- output: 3.5 mm DC plug

Protection: input fused, output current limit 850 mA

#### Voltage

- input: 11...32 V
- output (nominal): 8.4 V

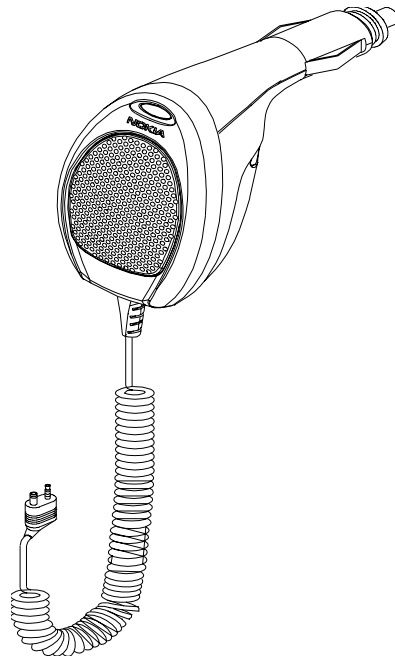
Nominal output current: *800 mA*



## Plug and Play Handsfree Cigarette Charger PPH-1

The PPH-1 provides rapid charging for the phone and possibility for HF operation. The PPH-1 plug and play handsfree unit is connected directly to the cigarette lighter in a car. PPH-1 is connected to Mobile phone with the cable. The cable has combined connector with charger - and head set connectors.

Figure 14: View of Plug and Play Handsfree Cigarette Charger, PPH-1



### Product Code

Headset PPH-1: 0675182

### Specification

Output connectors:	3.5 mm DC plug, 2-pole (+, -, control)
Input voltage:	8-16VDC
Protection:	Output fault voltage 16 V max.
Output current:	750 mA max.

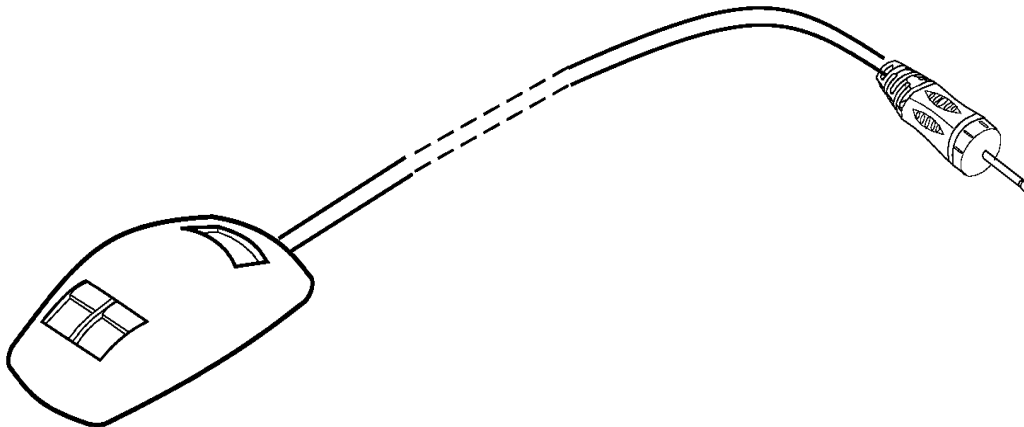
## Handsfree Microphone HFM-8

The HFM-8 microphone can be used together with PPH-1 plug and play handsfree unit.

### Product Code

Handsfree microphone HFM-8: *0690016*

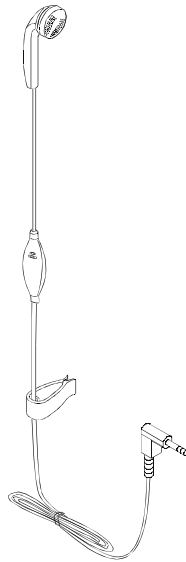
Figure 15: View of Handsfree Microphone, HFM-8



## Headset HDE-2

Headset connected directly to the phone via a 4-wire 2.5 mm headset jack (compatible with phones using DCT-4 headset connector).

Figure 16: View of Headset, HDE-2



### Product Code

Headset: 0694075

### Specification

Weight:	14 g
Length of cable	1050 ± 50 mm

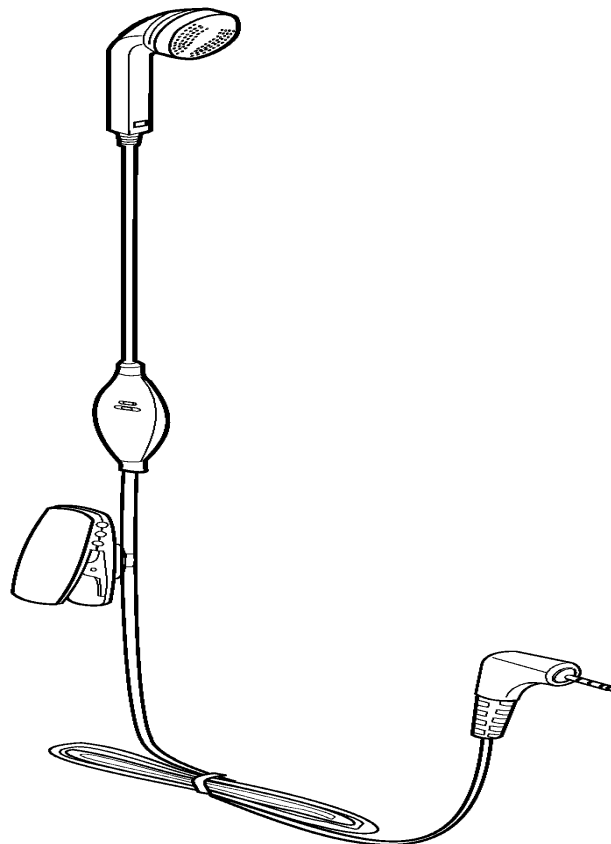
## Headset HDC-5

The HDC-5 headset provides a also hook switch for the phone/micro phone.

### Product Code

Headset HDC-5: *0694059*

Figure 17: View of Headset, HDC-5

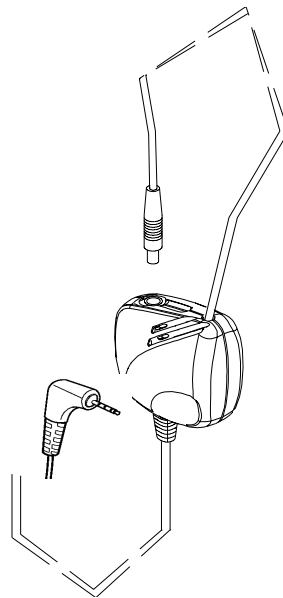


## Loopset LPS-3

The LPS-3 Loopset has been developed for hearing aid users to allow them to use mobile phones. It is based on induction technology.

All hearing aids have support for induction loop, that is, they have a little tele-coil inside. This coil can capture the signal supplied to the loop. Standard hearing aids have two operation modes: (1) the M-mode for normal microphone use and (2) the T-mode for tele-coil.

Figure 18: View of Loopset, LPS-3



### Product Code

Loopset LPS-3: 0630244

### Recommended Batteries

Table 1: Recommended Batteries

Type	Size / IEC-type	Rated capacity	Talk time (3mA load)	Standby (20uA load)
Zinc Air Hearing Aid Battery	675 / PR44	540 mAh	180 hour.	840 hour or 35 day (1)
Silver Oxide Hearing Aid Battery	675 / SR44	150 mAh	50 hour.	7 500 hour or 310 day.
Alkaline Battery	675 / LR44	110 mAh	36 hour.	5 500 hour or 230 day.

**Note:** The capacity of the zinc air battery will fall 20% in a month. After the activation, the zinc air battery begins to self-discharge. The battery will be empty within 5 weeks.

This page intentionally left blank.